

## CRISTINA BRANCO TECHNICAL RIDER 2021 v2

### P.A.

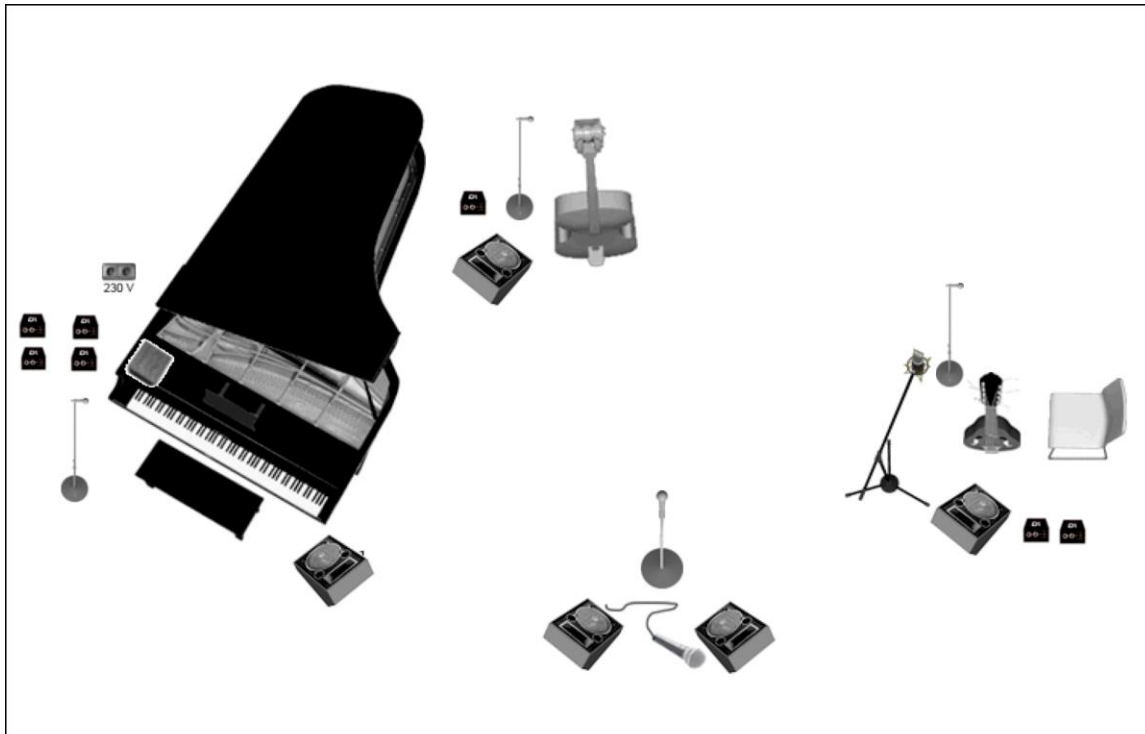
The P.A. system shall be a professional, stereo system, able to produce 100 dB of undistorted sound throughout the venue. The P.A. system shall be preferably LINE ARRAY by the following brands: L’Acoustic, d&b, Meyer Sound.

### FOH CONSOLE:

**Only the following digital consoles will be accepted:  
 Avid; Midas Pro; Soundcraft Vi, Yamaha Rivage**

### MONITORS: (SENT FROM FOH CONSOLE AUXES)

Please provide 5 monitors of same brand; d&b, L’Acoustic, Nexo



INPUT LIST			10 Double Bass	DPA4099	20 Talk Back	SM58
1	Piano Lo	AKGC414	11 Portuguese Gtr	BSS DI		
2	Piano Hi	AKGC414	12 Portuguese Gtr	BSS DI		
3	Piano Lo	Crown160	13 Portuguese Gtr	KM184		
4	Piano Hi	Crown160	14 Piano Vox	SM58		
5	Key L	BSS DI	15 Bass Vox	SM58		
6	Key R	BSS DI	16 Gtr Vox	SM58		
7	Pad L	BSS DI	17 Cristina	XLR		
8	Pad R	BSS DI	18 Spare Vocal	XLR		
9	Double Bass	BSS DI	19 Cajon	XLR		

**INPUT LIST**

CH	INSTRUMENT	MIC/DI
1	PIANO LO	AKG C414
2	PIANO HI	AKG C414
3	PIANO	CROWN PCC 160
4	PIANO	CROWN PCC 160
5	KEY L	BSS DI
6	KEY R	BSS DI
7	PAD L	BSS DI
8	PAD R	BSS DI
9	DOUBLE BASS	BSS DI
10	DOUBLE BASS MIC	NEUMANN KM 184
11	PORTUGUESE GTR	BSS DI
12	PORTUGUESE GTR	BSS DI
13	PORTUGUESE GTR	NEUMANN KM 184
14	PIANO VOCAL	SM 58
15	BASS VOCAL	SM 58
16	GTR VOCAL	SM 58
17	CRISTINA	XLR
19	SPARE	XLR
19	CAJON	XLR
20	TALKBACK	SM58

**PLEASE PROVIDE THE FOLLOWING BACKLINE:**
**DOUBLEBASS:**

1 Double Bass (must be of wood), full size, supplied with a Fishman or David Gage Realist pick-up

**PIANO:**

1 Steinway D, Yamaha CFIII or Yamaha CFX Piano 1

Piano bench

Please have the piano tuned before sound-check at A 440Hz

**PLEASE PROVIDE AN IRON AND IRONING BOARD IN CRISTINA BRANCO'S DRESSING ROOM**